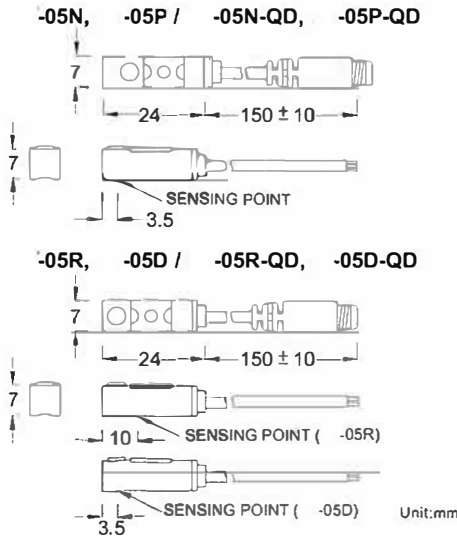
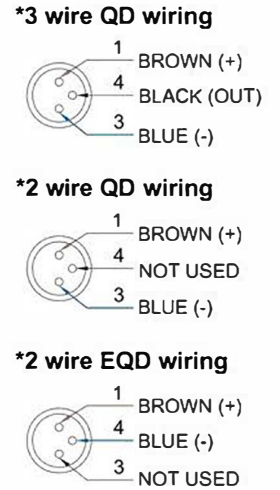




■ DIMENSION



■ QD PINOUT



■ SPECIFICATION

TYPE	BTC-05R	BTC-05D	BTC-05N	BTC-05P
CONNECT DIAGRAM				
CHARACTERISTICS	2-Wire Type		3-Wire Type	
WIRING METHOD	2-Wire Type		3-Wire Type	
SWITCHING LOGIC	SPST, Normally Open	Solid State Output, Normally Open		
SENSOR TYPE	Reed Switch	--	NPN Current Sinking	PNP Current Sourcing
OPERATING VOLTAGE	5~240V DC/AC	10~28V DC	5~30V DC	
SWITCHING CURRENT	100 mA max.	50 mA max.	200 mA. max.	
CONTACT RATING (NOTE 1)	10 W max.	1.5 W max.	6W max.	
CURRENT CONSUMPTION	--		8 mA @ 24V DC max.	
VOLTAGE DROP	3.0 V max.	3.5 V max.	1 V @ 200mA max.	
LEAKAGE CURRENT	--	0.8 mA max.	0.01 mA max.	
INDICATOR	Red LED			Green LED
CABLE	ø2.8, 2C, PVC		ø2.8, 3C, PVC	
OPERATING FREQUENCY	200 Hz		1000 Hz	
MAGNET REQUIREMENT (NOTE 2)	50 Gauss		40 Gauss	
TEMPERATURE RANGE	-10~70°C			
SHOCK (NOTE 3)	30 G		50 G	
VIBRATION (NOTE 4)	9 G			
ENCLOSURE CLASSIFICATION	IEC 529 IP 67			
PROTECTION CIRCUIT (NOTE 5)	1	2,4		2,3,4

- NOTE:
1. WARNING: Never exceed rating (Watt=Voltage x Amperage). Permanent damage to sensor will occur.
 2. Measuring standard target: ø15.5Xø8X5t (Anisotropy rubber magnet)
 3. Sin wave / X, Y, Z 3 directions / 3 times each direction / 11 ms each time.
 4. Double amplitude 1.5 mm / 10Hz~55Hz~10Hz (Sweep 1 min) / X, Y, Z 3 directions / 1 hour each time.
 5. 1=None / 2=Short-circuit / 3=Power Source Reverse polarity / 4=Surge Suppression

■ MOUNTING CLAMPS



BK Series
(See Page 2-34)

