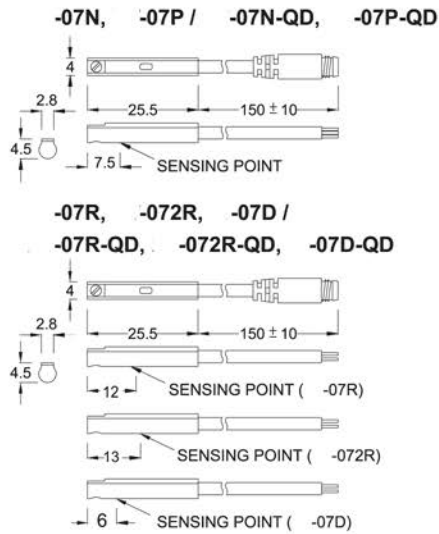
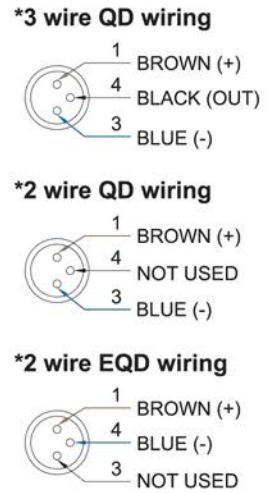




■ DIMENSION



■ QD PINOUT

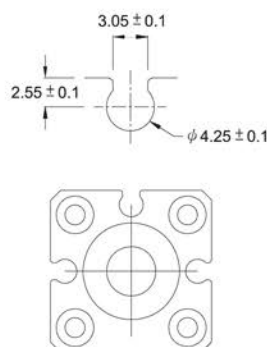


■ SPECIFICATION

TYPE	BTC-07R	BTC-072R	BTC-07D	BTC-07N	BTC-07P
CONNECT DIAGRAM					
CHARACTERISTICS	2-Wire Type		3-Wire Type		
WIRING METHOD	SPST, Normally Open		Solid State Output, Normally Open		
SWITCHING LOGIC	Reed Switch		--	NPN Current Sinking	PNP Current Sourcing
SENSOR TYPE	5~120V DC/AC	5~240V DC/AC	10~28V DC	5~30V DC	
OPERATING VOLTAGE	100 mA max.		4~40 mA max.	200 mA. max.	
SWITCHING CURRENT	10 W max.		1.5 W max.	6W max.	
CONTACT RATING (NOTE 1)	--		8 mA @ 24V DC max.		
CURRENT CONSUMPTION	3.5 V max.		1 V @ 200mA max.		
VOLTAGE DROP	--		1 mA max.	0.01 mA max.	
LEAKAGE CURRENT	Red LED	Green LED	Red LED		Green LED
INDICATOR	ø2.8, 2C, PUR			ø2.8, 3C, PUR	
CABLE	200 Hz		1000 Hz		
OPERATING FREQUENCY	70 Gauss		40 Gauss	30 Gauss	
MAGNET REQUIREMENT (NOTE 2)	--		-10~70°C		
TEMPERATURE RANGE	30 G		50 G		
SHOCK (NOTE 3)	--		9 G		
VIBRATION (NOTE 4)	--		IEC 529 IP 67		
ENCLOSURE CLASSIFICATION	1	4	2,3,4		
PROTECTION CIRCUIT (NOTE 5)	--		--		

- NOTE:
1. WARNING: Never exceed rating (Watt=Voltage x Amperage). Permanent damage to sensor will occur.
 2. Measuring standard target: ø15.5Xø8X5t (Anisotropy rubber magnet)
 3. Sin wave / X, Y, Z 3 directions / 3 times each direction / 11 ms each time.
 4. Double amplitude 1.5 mm / 10Hz~55Hz~10Hz (Sweep 1 min) / X, Y, Z 3 directions / 1 hour each time.
 5. 1=None / 2=Short-circuit / 3=Power Source Reverse polarity / 4=Surge Suppression

■ GROOVE DIMENSION



Unit:mm

Pressure Switch

Magnetic Switch

Circular Connector