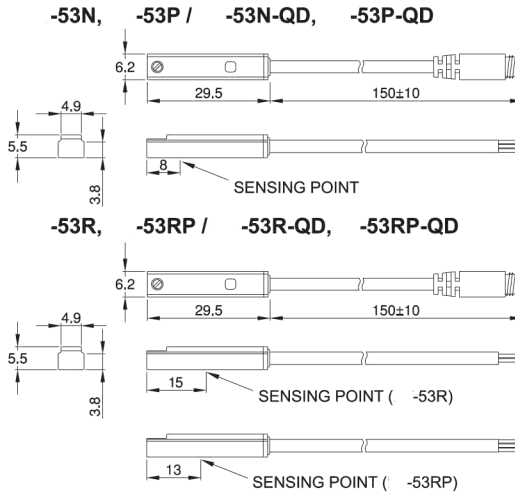
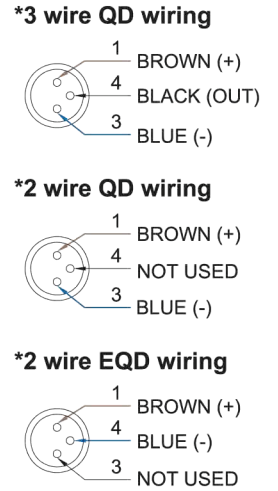


■ DIMENSION



Unit:mm

■ QD PINOUT

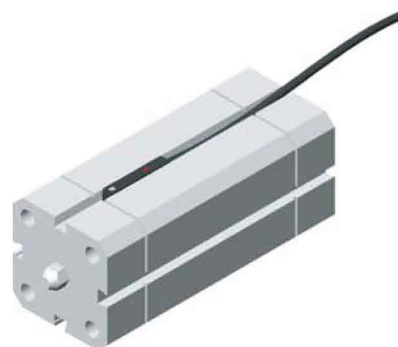
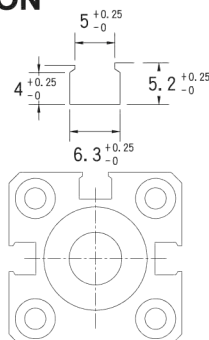


■ SPECIFICATION

TYPE	BTC-53R	BTC-53N	BTC-53P	BTC-53RP
CONNECT DIAGRAM				
CHARACTERISTICS				
WIRING METHOD	2-Wire Type	3-Wire Type		
SWITCHING LOGIC	SPST, Normally Open	Solid State Output, Normally Open		SPST, Normally Open
SENSOR TYPE	Reed Switch	NPN Current Sinking	PNP Current Sourcing	Reed Switch
OPERATING VOLTAGE	5~240V DC/AC	10~30V DC		10~30V DC/AC
SWITCHING CURRENT	100 mA max.			500 mA. max.
CONTACT RATING (NOTE 1)	10 W max.	3 W max.		10 W max.
CURRENT CONSUMPTION	--	8 mA @ 24V DC max.		10 mA @ 24V DC max.
VOLTAGE DROP	3.5 V max.	1.5 V max.		0.1 V @ 100mA max.
LEAKAGE CURRENT	--	0.01 mA max.		--
INDICATOR	Red LED		Yellow LED	
CABLE	ø3, 2C, PUR	ø3, 3C, PUR		
OPERATING FREQUENCY	200 Hz	1000 Hz		200 Hz
MAGNET REQUIREMENT (NOTE 2)	70 Gauss	45 Gauss		60 Gauss
TEMPERATURE RANGE	-10~70°C			
SHOCK (NOTE 3)	30 G	50 G		30 G
VIBRATION (NOTE 4)	9 G			
ENCLOSURE CLASSIFICATION	IEC 529 IP 67			
PROTECTION CIRCUIT (NOTE 5)	1	2,3,4		1

- NOTE:
1. WARNING: Never exceed rating (Watt=Voltage x Amperage). Permanent damage to sensor will occur.
 2. Measuring standard target: ø15.5Xø8X5t (Anisotropy rubber magnet)
 3. Sin wave / X, Y, Z 3 directions / 3 times each direction / 11 ms each time.
 4. Double amplitude 1.5 mm / 10Hz~55Hz~10Hz (Sweep 1 min) / X, Y, Z 3 directions / 1 hour each time.
 5. 1=None / 2=Short-circuit / 3=Power Source Reverse polarity / 4=Surge Suppression

■ GROOVE DIMENSION



Unit:mm

Pressure Switch

Magnetic Switch

Circular Connector