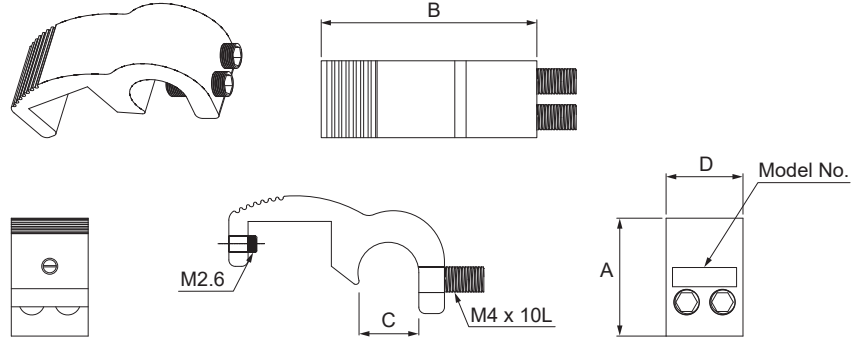
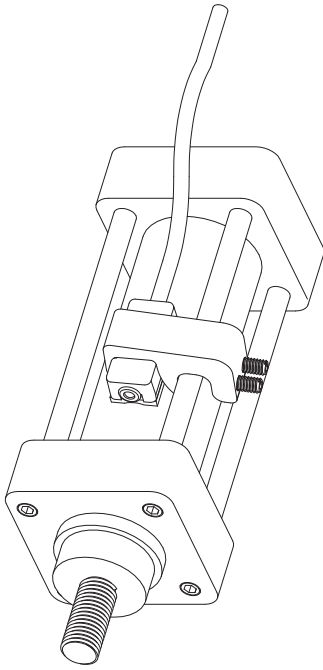


PM Series

Bracket is designed for mounting BTC-20 & BTC-21 & BTC-31 series sensor on Tie Rod cylinder.

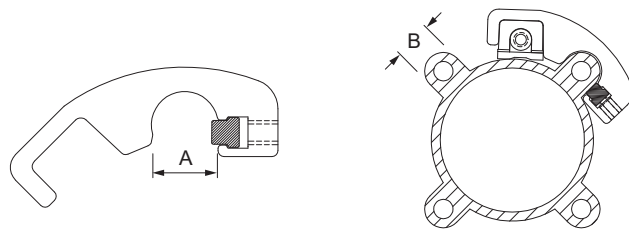
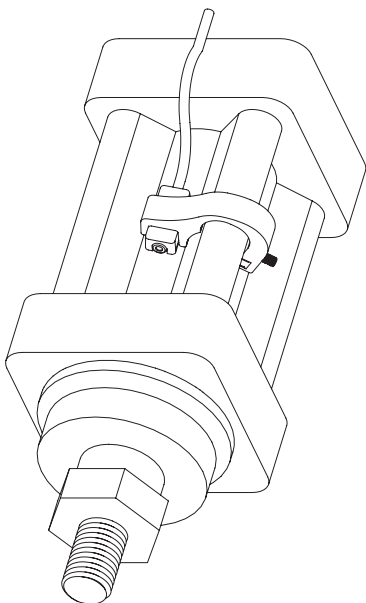


MODEL	DIM.	A	B	C	D
PM-6		19.1	31.8	7.3	12
PM-8		18.4	33.7	9.3	12
PM-10		16.7	35.9	11.2	12
PM-12		20	35.5	11.5	12
PM-14		24	38.0	13.5	12
PM-16		24	40.0	15.5	12

Unit : mm

PI Series

Bracket is designed for mounting BTC-20 & BTC-21 & BTC-31 series sensor on ISO profile cylinder.



MODEL	DIM.	A	B	Remark
PI-1		10.9	10.4	Ø32 ~ Ø40
PI-2		14.10	13.5	Ø50 ~ Ø63
PI-3		15.45	15	Ø80
PI-4		16.3	16	Ø100
PI-5		19.8	18.7	Ø125
PI-6		26.5	25.7	Ø150

Unit : mm